

Schedule a Tour
206-467-7600



MARTIN SELIG
REAL ESTATE

FOR LEASE



Martin Selig
mselig@martinselig.com



Jordan Selig
jselig@martinselig.com



Theresa Howard
thoward@martinselig.com



Mike Brixner
mbrixner@martinselig.com



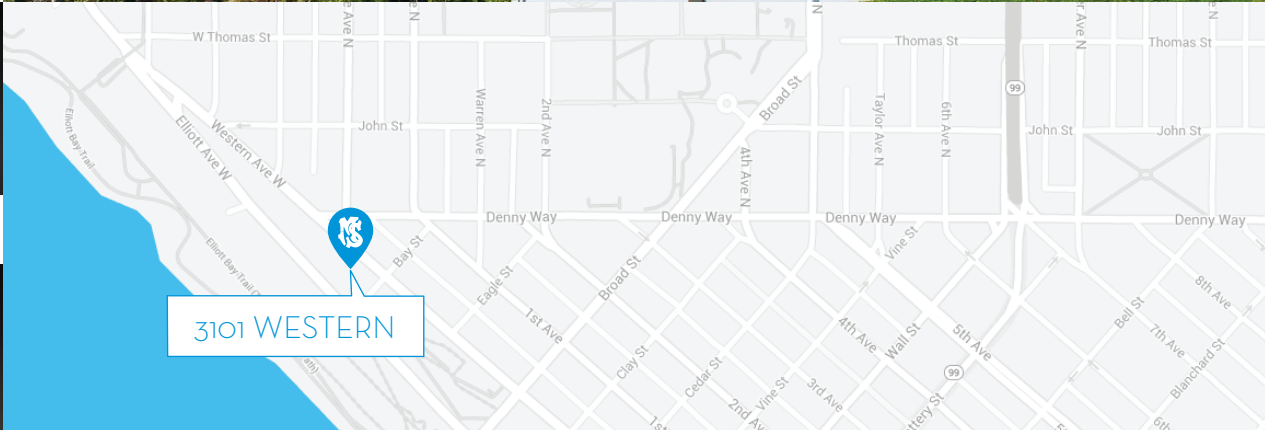
Ilich Vahimi
ivahimi@martinselig.com



Michael Brixner
mcbrixner@martinselig.com



David Selig
dselig@martinselig.com



Building Features:

- Highly efficient floor plates
- Custom build-outs available
- Indoor parking
- Energy Star certified
- In-house fitness center and showers
- Floor-to-ceiling windows
- Sweeping panoramic views of Elliott Bay
- Pet-friendly offices
- Bike storage

Neighborhood Features:

- Plenty of nearby public transit
- Unobstructed Elliott Bay views
- Easy access to miles of bike trails
- Abundant neighborhood amenities
- Short walk to waterfront
- Free of downtown congestion

Available Square Footage: 23,287

3101 WESTERN

3101 Western Avenue
Seattle, WA 98121

CALL US TO SCHEDULE A TOUR | 206-467-7600 | martinselig.com

Schedule a Tour
206-467-7600

FOR LEASE

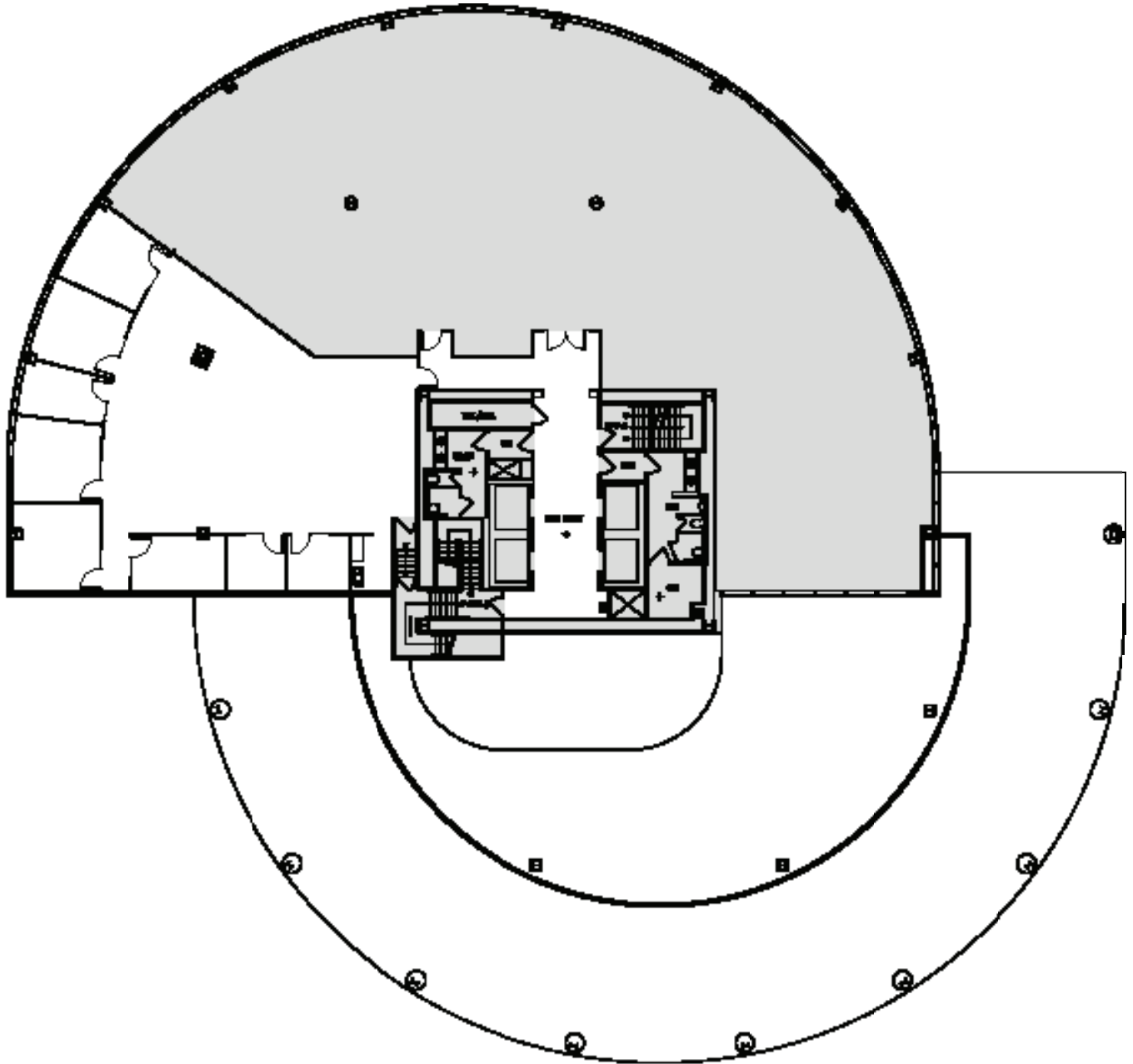
3101 WESTERN

3101 Western Avenue
Seattle, WA 98121

2ND FLOOR

Rentable square feet: 3,822

Available Leased



N>

Schedule a Tour
206-467-7600

FOR LEASE

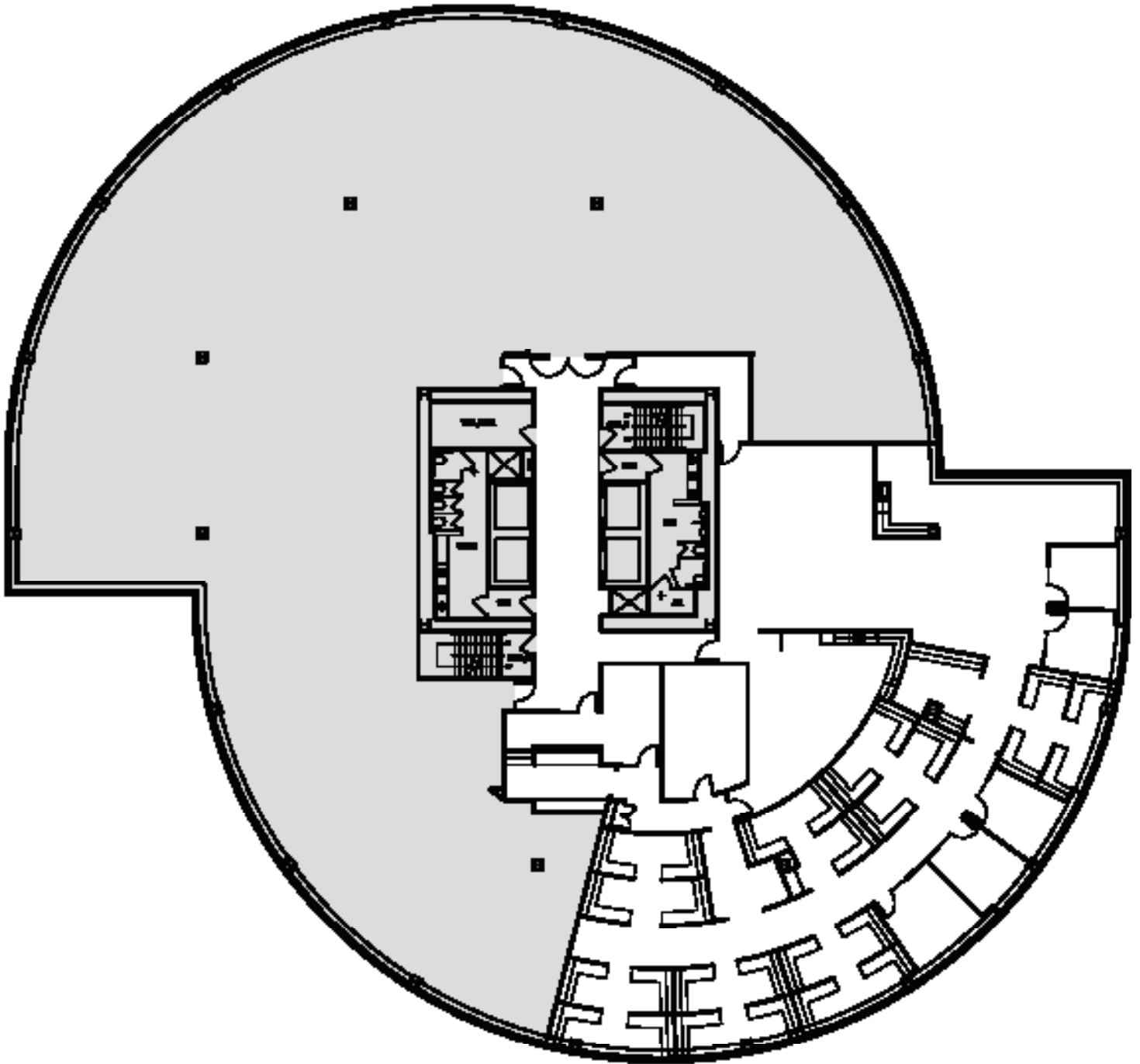
3101 WESTERN

3101 Western Avenue
Seattle, WA 98121

4TH FLOOR

Rentable square feet: 8,276

Available Leased



N>

Schedule a Tour
206-467-7600

FOR LEASE

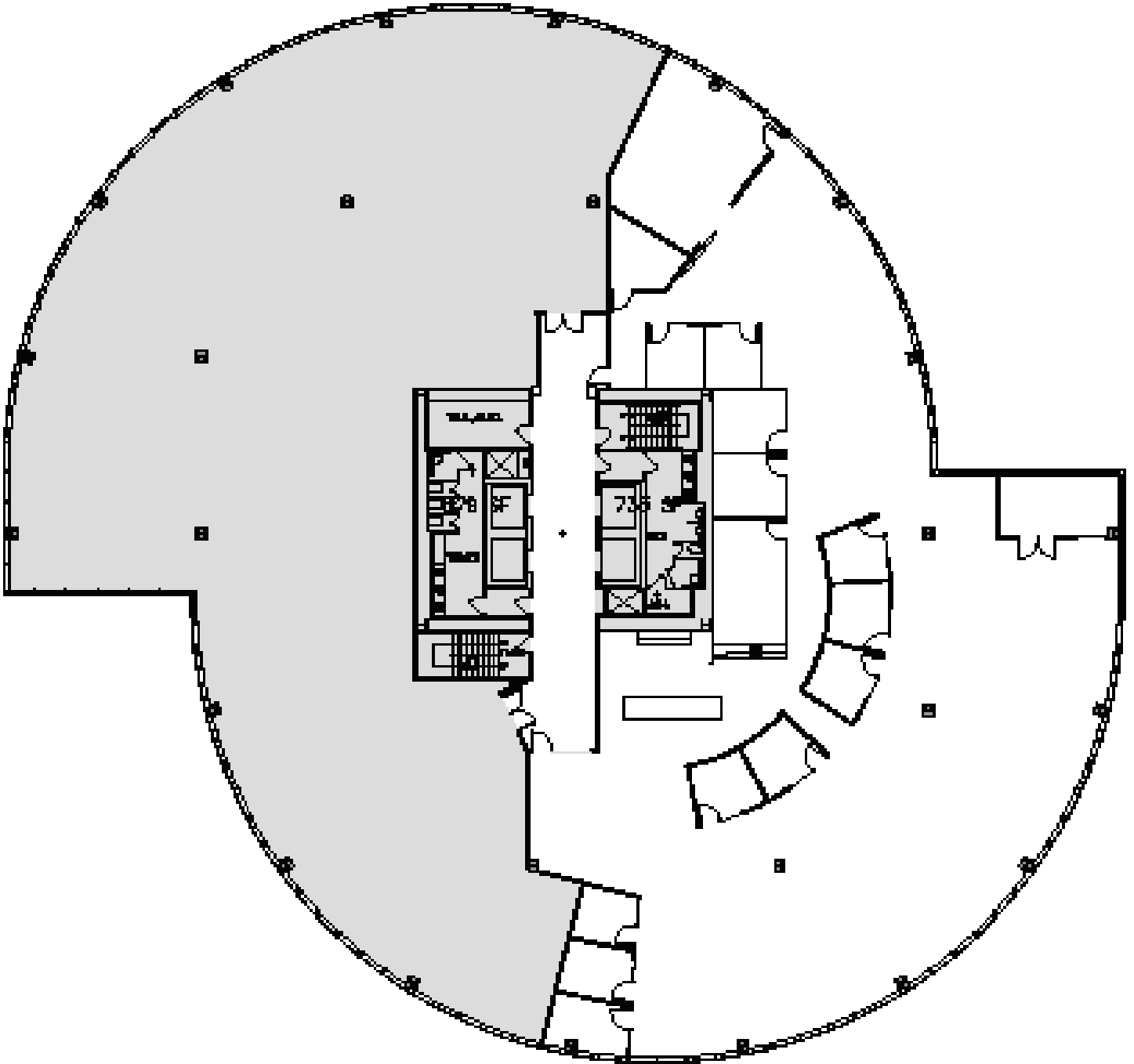
3101 WESTERN

3101 Western Avenue
Seattle, WA 98121

5TH FLOOR

Rentable square feet: 11,189

Available Leased



N>